

### STANDARD METAL HALIDE LAMPS

- High efficacy • Long life
- Full line, 50 - 1500 watts
- Enclosed fixture only

HIGH INTENSITY DISCHARGE LAMPS

Watts	Bulb	Base	Item#	Description	Case			Dimensions			Lumens			Color		
					ANSI	Qty.	Finish	Operating Position	MOL (in)	LCL (in)	Initial (lm)	Mean (lm)	Avg. Life (Hours)	Temp (K)	CRI	Manufacture Production Code
<b>Metal Halide Lamps - Mogul Screw Base</b>																
50	ED28	E39	1010	MH50/ED28/U/4K	M110/E	12	Clear	Universal	8.31	5.00	3400	2000	10000V/7500H	4200	60	M00509181402
70	ED28	E39	1011	MH70/ED28/U/4K	M98/E	12	Clear	Universal	8.31	5.00	5600	4760	15000V/11250H	4200	65	M00709181402
			*1073	MH70/ED28/C/U/4K	M98/E	12	Coated	Universal	8.31	5.00	5300	4200	15000V/11250H	4000	70	M00709182402
100	ED28	E39	1012	MH100/ED28/U/4K	M90/E	12	Clear	Universal	8.31	5.00	9000	7500	15000V/11250H	4200	65	M01009181402
			*1074	MH100/ED28/C/U/4K	M90/E	12	Coated	Universal	8.31	5.00	8500	7100	15000V/11250H	4000	70	M01009182402
150	ED28	E39	1013	MH150/ED28/U/4K	M102/E	12	Clear	Universal	8.31	5.00	14000V/12600H	10500V/9500H	15000V/11250H	4200	65	M01509181402
			*1075	MH150/ED28/C/U/4K	M102/E	12	Coated	Universal	8.31	5.00	13300V/12000H	10000V/9000H	15000V/11250H	4000	70	M01509182402
175	ED28	E39	1014	MH175/ED28/U/4K	M57/E	12	Clear	Universal	8.31	5.00	14000V/12000H	9100	10000V/7500H	4200	65	M01759181402
			1015	MH175/ED28/C/U/4K	M57/E	12	Coated	Universal	8.31	5.00	13600V/11700H	8800	10000V/7500H	3800	70	M01759182402
	T15	E39	1016	MH175/T15/HOR/4K	M57/E	24	Clear	HOR±15°	8.31	5.00	14000	9100	7500	4200	65	M01759351402
250	ED28	E39	1017	MH250/ED28/U/4K	M58/E	12	Clear	Universal	8.31	5.00	22000V/20000H	17000V/13700H	10000V/7500H	4200	65	M02509181402
			1018	MH250/ED28/C/U/4K	M58/E	12	Coated	Universal	8.31	5.00	21500V/19500H	17000V/13000H	10000V/7500H	3800	70	M02509182402
	T15	E39	1019	MH250/T15/HOR/4K	M58/E	24	Clear	HOR±15°	8.31	5.00	20000	14100	10000	4200	65	M02509351402
	ET18	E39	1020	MH250/ET18/HOR/4K	M58/E	24	Clear	HOR±15°	9.65	5.70	20000	13500	10000	4000	65	M02509111402
400	ED28	E39	1022	MH400/ED28/U/4K	M59/E	12	Clear	Universal	8.31	5.00	36000V/32000H	23500V/20500H	20000V/15000H	4200	65	M04009181402
			1023	MH400/ED28/C/U/4K	M59/E	12	Coated	Universal	8.31	5.00	34000	22000	20000V/15000H	3800	70	M04009182402
	ED37	E39	1024	MH400/ED37/U/4K	M59/E	12	Clear	Universal	11.50	7.00	36000V/32000H	23500V/20500H	20000V/15000H	4200	65	M04009171402
	1025		MH400/ED37/C/U/4K	M59/E	12	Coated	Universal	11.50	7.00	34000	22000	20000	3800	70	M04009172402	
BT37	E39	*2414	MS400/BT37/HOR/4K	M59/E	12	Clear	HOR±15°	11.50	7.00	36000	23500	20000	3800	70	M04009271412	
T15	E39	1026	MH400/T15/HOR/4K	M59/E	24	Clear	HOR±15°	9.75	5.75	36000	23500	15000	4200	65	M04009351402	
ET18	E39	1027	MH400/ET18/HOR/4K	M59/E	24	Clear	HOR±15°	9.65	5.70	33000	21500	15000	4200	65	M04009111402	
1000	BT37	E39	1028	MH1000/BT37/U/4K	M47/E	12	Clear	Universal	11.50	7.00	110000V/107800H	93500V/86300H	15000V/9000H	4200	65	M10009271402
			BT56	E39	1029	MH1000/BT56/U/4K	M47/E	6	Clear	Universal	15.38	9.50	110000V/107800H	93500V/86300H	15000V/9000H	4200
	*1076	MH1000/BT56/C/U/4K	M47/E	6	Coated	Universal	15.38	9.50	107000V/101600H	80000	15000V/9000H	3900	70	M10009262402		
1500	BT56	E39	1030	MH1500/BT56/U/4K	M48/E	6	Clear	Universal	15.38	9.50	167000V/155000H	140000V/127400H	3000	4200	65	M15009261402

\* Items only available for special orders

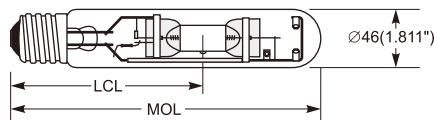
All measurements are shown in inches unless noted

Manage in Accordance with Disposal Laws

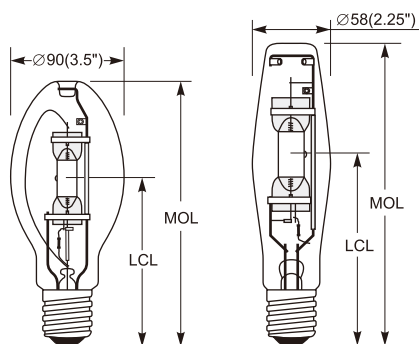
See: [www.lamprecycle.org](http://www.lamprecycle.org) or 1-888-529-6660

See page 24/25/26 for safety handling and warning purposes

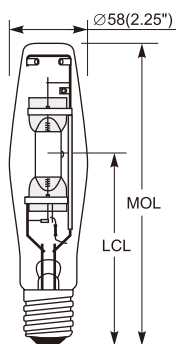
PLEASE SEE BALLAST INFO AT PAGE 22



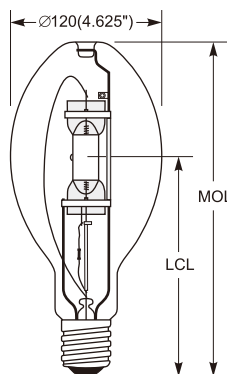
T15  
E39 Base



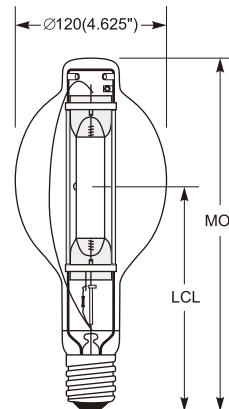
ED28  
E39 Base



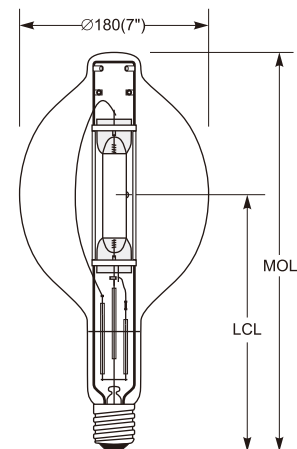
ET18  
E39 Base



ED37  
E39 Base



BT37  
E39 Base



BT56  
E39 Base